

## CRANE SPECIFICATION

# KOBELCO RK160-2

### COMPREHENSIVE LIFTING SOLUTIONS

We look forward to providing a full heavy lift engineering and crane solution for your next project. Our heavy lift engineers and on site personnel are experienced in managing and organising highly de-manding lift requirements.

Contact us to discuss your lifting requirements and a free quote.

#### BRISBANE (HQ)

07 3907 5800  
37 Paringa Rd, Murarrie, QLD, 4172

#### BALLINA

02 6686 7748  
5 Convair Ave, Ballina, NSW, 2478

#### GLADSTONE

07 4829 5219  
7 Morgan St, Gladstone, QLD, 4680

#### ROMA

07 4622 5522  
8 Wormwell Drive, Roma QLD 4455

#### TOWNSVILLE

07 4779 4088  
16 Mackley St, Garbutt QLD 4814

#### RICHLANDS

07 3907 5800  
462 Boundary Rd, Richlands QLD 4077

#### ROCKHAMPTON

07 4939 1095  
39-42 Johnson St, Park Hurst, QLD, 4702

#### BILOELA

07 4939 1095  
67 Dawson Hwy, Biloela QLD 4715

#### SUNSHINE COAST

0409 595 618  
562 Maroochydore Rd, Kunda Park, QLD, 4556

#### MACKAY

07 4952 6998  
135 Diesel Drive, Paget QLD 4740

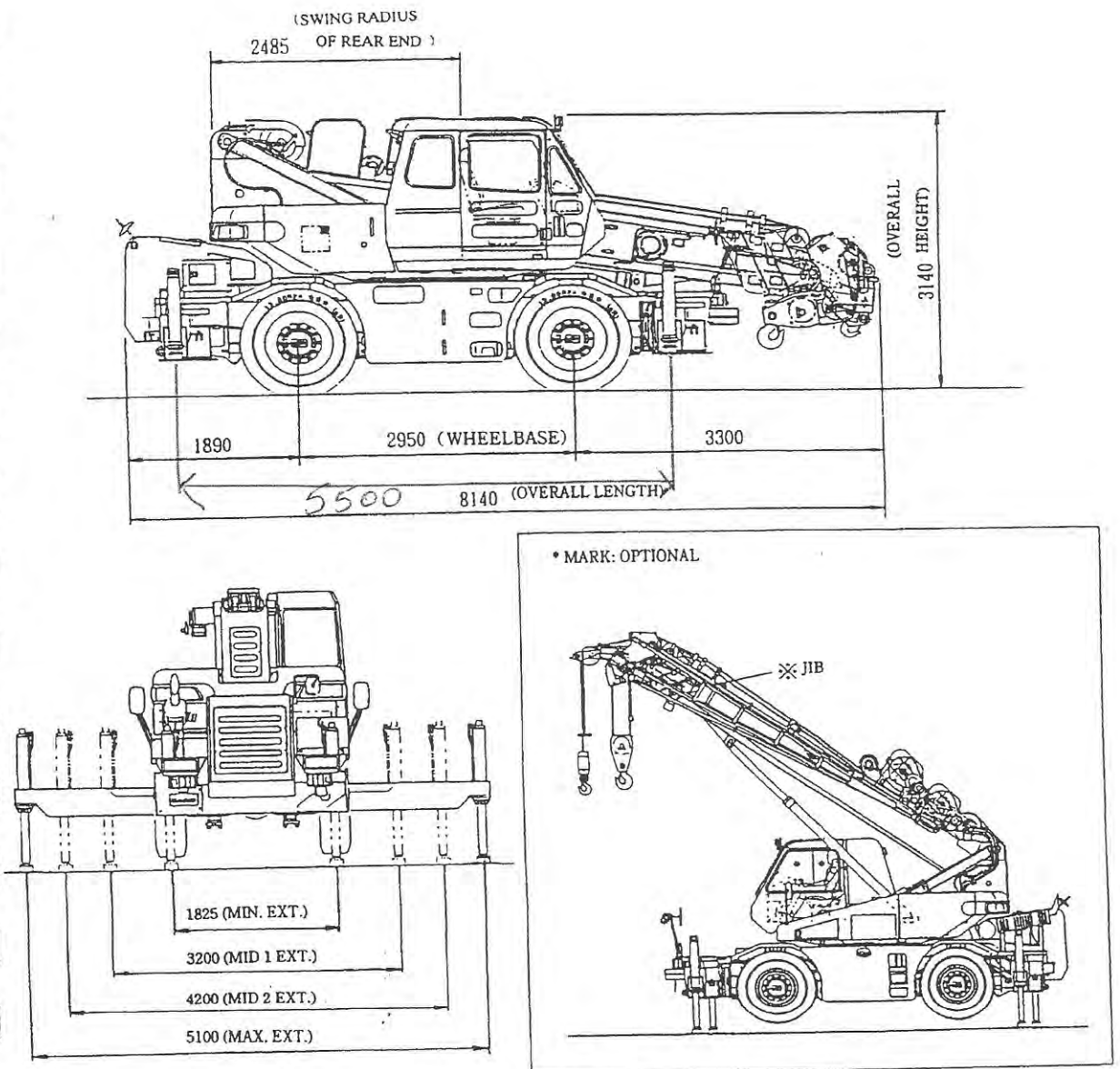


## 6. SPECIFICATIONS AND TABULATED DATA

### 6.1 SPECIFICATIONS

The data described here are for reference. Since described values may sometimes differ from those of the actual machine, use these data for reference only.

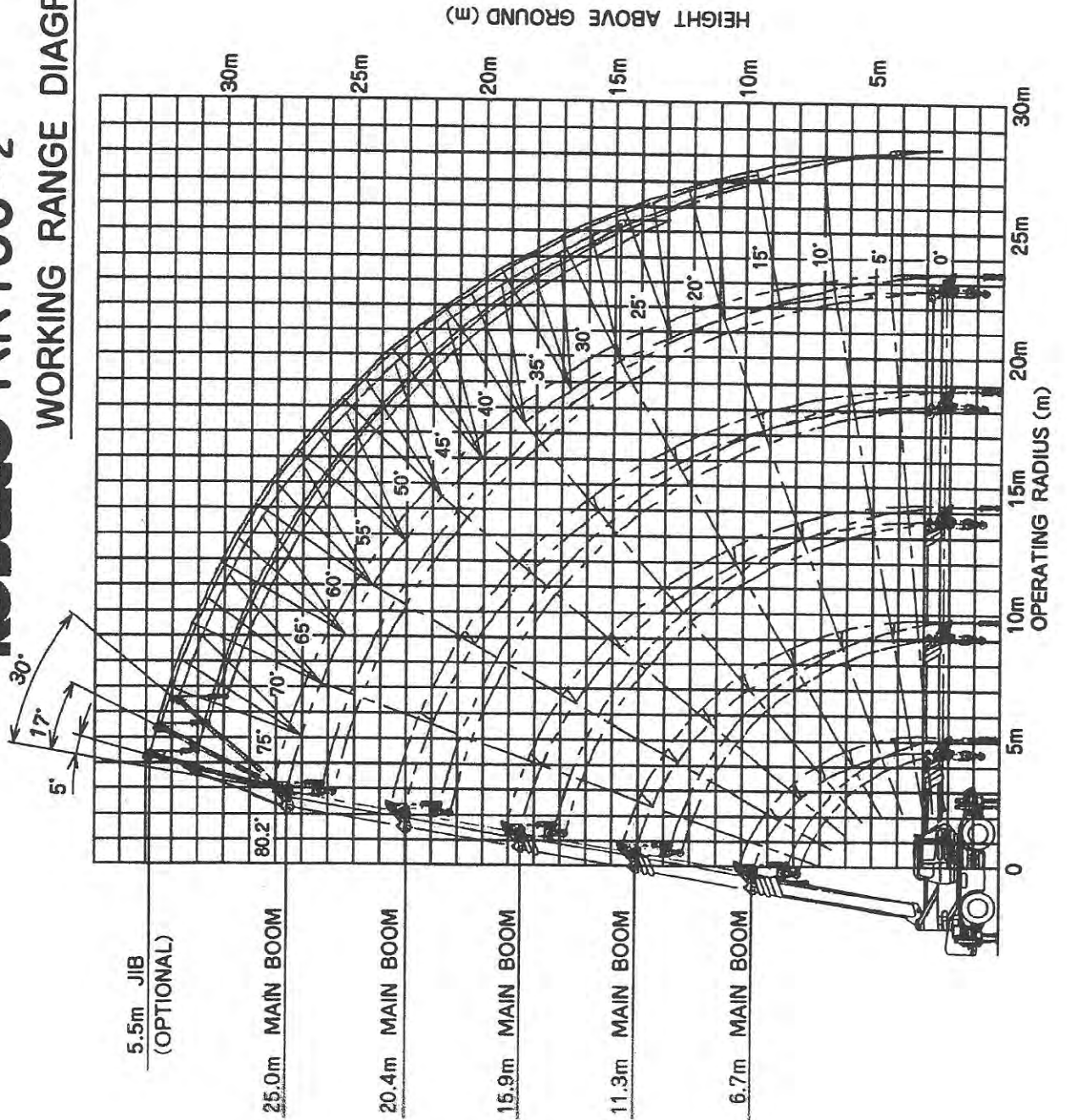
#### 6.1.1 GENERAL DIMENSIONS



GENERAL DIMENSION (UNIT : mm)

# KOBELCO RK160-2

## WORKING RANGE DIAGRAM



6.3 RATED CRANE LOAD TABLE  
 (1) BOOM RATED LOADS (ton) WITH OUTRIGGERS USED

[Unit: ton]

Boom Length (m)	Outriggers Max. (5.1m) Ext. (Whole around)				Outriggers Mid. (4.2m) Ext. (Over side)				Outriggers Mid. (3.2m) Ext. (Over side)				Outriggers Min. Ext. (Over side)				Boom Length (m)	Operating Radius (m)				
	6.7	11.3	15.9	20.4	25.0	6.7	11.3	15.9	20.4	25.0	6.7	11.3	15.9	20.4	25.0	6.7			11.3	15.9	20.4	25.0
2.5	16.00	12.00	9.00	7.00		16.00	12.00	9.00	7.00		16.00	12.00	9.00	7.00		7.75	7.80	7.80	7.00		2.5	
3.0	16.00	12.00	9.00	7.00		16.00	12.00	9.00	7.00		13.00	12.00	9.00	7.00		5.55	5.60	5.60	6.10		3.0	
3.5	14.00	12.00	9.00	7.00	5.00	14.00	12.00	9.00	7.00	5.00	10.00	10.00	9.00	7.00	5.00	4.20	4.30	4.25	4.70	4.70	3.5	
4.0	12.50	12.00	9.00	7.00	5.00	12.50	12.00	9.00	7.00	5.00	7.70	7.80	7.20	7.00	5.00	3.30	3.40	3.35	3.70	3.80	4.0	
4.5	11.50	11.10	8.50	7.00	5.00	11.20	10.55	8.30	7.00	5.00	5.40	6.20	6.10	6.45	5.00	2.65	2.70	2.70	3.00	3.10	4.5	
5.0		10.25	8.05	7.00	5.00		9.15	7.65	7.00	5.00		5.10	5.00	5.30	5.00		2.20	2.25	2.55	2.65	5.0	
5.5		9.40	7.60	6.60	4.75		7.75	6.95	6.55	4.75		4.30	4.20	4.50	4.70		1.80	1.85	2.10	2.25	5.5	
6.0		8.55	7.15	6.20	4.55		6.55	6.30	6.10	4.55		3.60	3.60	3.85	4.05		1.50	1.55	1.80	1.90	6.0	
6.5		7.70	6.70	5.80	4.35		5.65	5.60	5.70	4.35		3.10	3.10	3.35	3.55		1.25	1.30	1.55	1.65	6.5	
7.0		6.84	6.20	5.50	4.15		4.90	4.95	5.25	4.15		2.70	2.70	2.95	3.10		1.05	1.05	1.30	1.45	7.0	
7.5		6.00	5.70	5.15	3.90		4.30	4.40	4.70	3.95		2.40	2.35	2.60	2.80		0.85	0.85	1.15	1.30	7.5	
8.0		5.30	5.20	4.65	3.70		3.80	3.85	4.20	3.70		2.10	2.05	2.30	2.50		0.70	0.70	0.95	1.10	8.0	
9.0		4.25	4.25	4.30	3.30		3.05	3.10	3.40	3.30		1.65	1.60	1.85	2.00		0.45	0.70	0.85	1.10	9.0	
10.0			3.50	3.75	3.00			2.50	2.80	2.90			1.25	1.50	1.65			0.30 (9.5m)	0.50	0.65	10.0	
11.0			2.90	3.20	2.70			2.05	2.35	2.50			1.00	1.20	1.35				0.29	0.50	11.0	
12.0			2.45	2.75	2.50			1.70	1.95	2.15			0.80	1.00	1.15					0.30	12.0	
13.0			2.05	2.35	2.30			1.40	1.65	1.85			0.63	0.80	0.95						13.0	
14.0			1.85 (13.6m)	2.05	2.10			1.25 (13.6m)	1.45	1.60			0.50 (13.6m)	0.65	0.80						14.0	
15.0				1.75	1.90				1.20	1.40				0.55	0.65						15.0	
16.0				1.50	1.70				1.00	1.20				0.40	0.55						16.0	
17.0				1.32	1.50				0.80	1.00				0.45							17.0	
18.0				1.15	1.30				0.65	0.85				0.35							18.0	
19.0				1.15 (18.1m)	1.15				0.60 (18.1m)	0.70												19.0
20.0					1.00					0.60												20.0
21.0					0.90					0.50												21.0
22.0					0.80					0.40												22.0
24.0					0.74 (22.7m)					0.35 (22.7m)												24.0
25.0																						25.0
28.0																						28.0
30.0																						30.0
Min. Boom Angle	0°	0°	0°	0°	0°	0°	0°	0°	0°	0°	0°	0°	0°	0°	29°	37°	0°	0°	45°	52°	57°	Min. Boom Angle



# KOBELCO RK160-2

unit (ton)

operating radius (m)	stationary on rubber						pick & carry (max 2km/hr)						operating radius (m)				
	6.7m boom		11.3m boom		15.9m boom		20.4m boom		6.7m boom		11.3m boom			15.9m boom		20.4m boom	
	over front	360°	over front	360°	over front	360°	over front	360°	over front	360°	over front	360°		over front	360°	over front	360°
3.0																	3.0
3.5																	3.5
4.0																	4.0
4.5																	4.5
5.0																	5.0
5.5																	5.5
6.0																	6.0
6.5																	6.5
7.0																	7.0
7.5																	7.5
8.0																	8.0
9.0																	9.0
10.0																	10.0
11.0																	11.0
12.0																	12.0
13.0																	13.0
14.0																	14.0
15.0																	15.0
16.0																	16.0
17.0																	17.0
Min. Boom angle	0°	0°	11°	29°	19°	48°	22°	55°	0°	0°	11°	29°	19°	48°	22°	55°	Min. Boom angle