

## CRANE SPECIFICATION

# MAEDA CC505

### COMPREHENSIVE LIFTING SOLUTIONS

We look forward to providing a full heavy lift engineering and crane solution for your next project. Our heavy lift engineers and on site personnel are experienced in managing and organising highly de-manding lift requirements.

Contact us to discuss your lifting requirements and a free quote.

#### BRISBANE (HQ)

07 3907 5800  
37 Paringa Rd, Murarrie, QLD, 4172

#### BALLINA

02 6686 7748  
5 Convair Ave, Ballina, NSW, 2478

#### GLADSTONE

07 4829 5219  
7 Morgan St, Gladstone, QLD, 4680

#### ROMA

07 4622 5522  
8 Wormwell Drive, Roma QLD 4455

#### TOWNSVILLE

07 4779 4088  
16 Mackley St, Garbutt QLD 4814

#### RICHLANDS

07 3907 5800  
462 Boundary Rd, Richlands QLD 4077

#### ROCKHAMPTON

07 4939 1095  
39-42 Johnson St, Park Hurst, QLD, 4702

#### BILOELA

07 4939 1095  
67 Dawson Hwy, Biloela QLD 4715

#### SUNSHINE COAST

0409 595 618  
562 Maroochydore Rd, Kunda Park, QLD, 4556

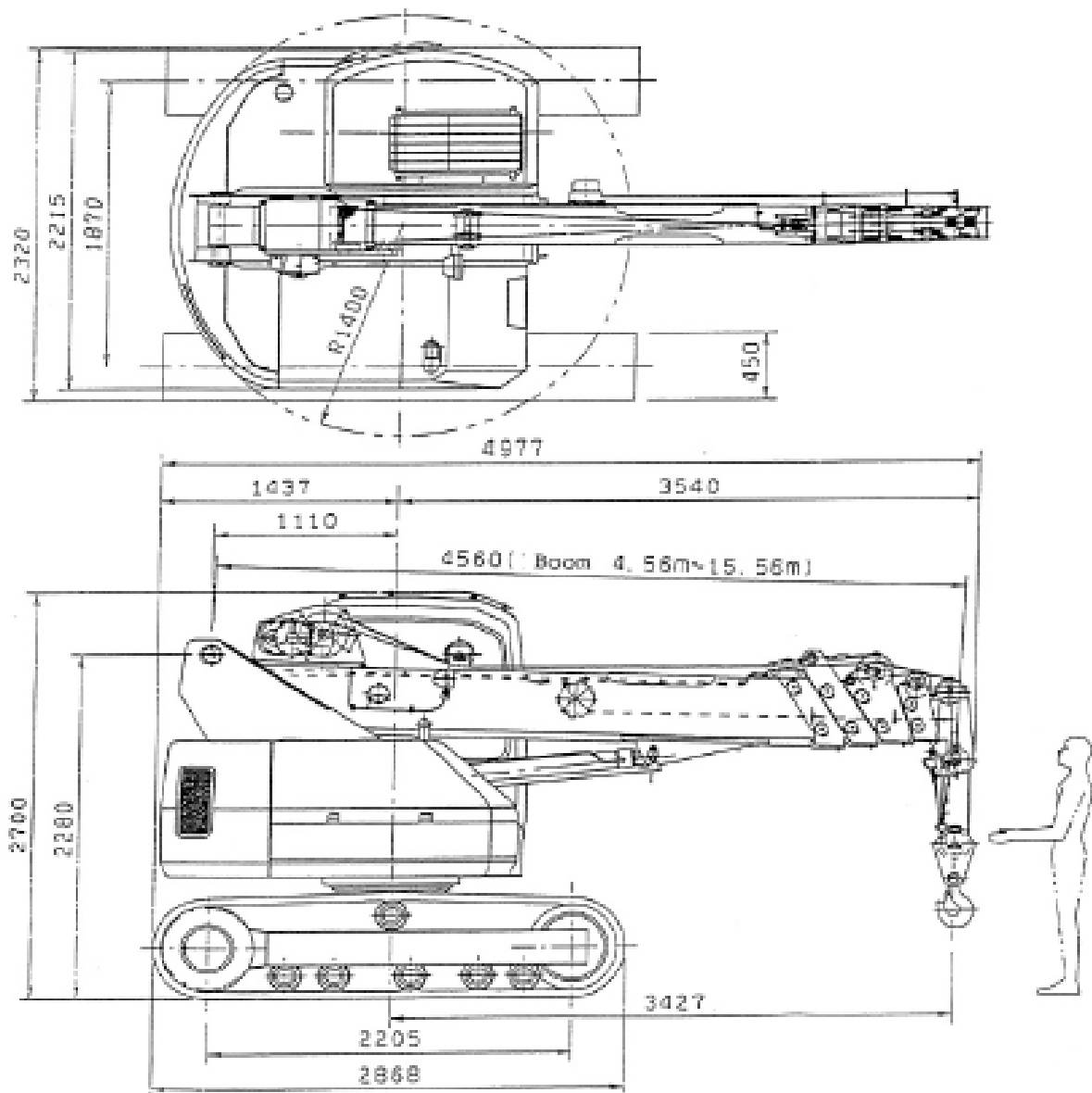
#### MACKAY

07 4952 6998  
135 Diesel Drive, Paget QLD 4740



# MAEDA CC-505 4.9T CRAWLER CRANE

## RATED LIFTING CAPACITIES FOR MAIN BOOM



# MAEDA CC-505 4.9T CRAWLER CRANE

## RATED LIFTING CAPACITIES FOR MAIN BOOM

