

## CRANE SPECIFICATION

# MAEDA MC405C

### COMPREHENSIVE LIFTING SOLUTIONS

We look forward to providing a full heavy lift engineering and crane solution for your next project. Our heavy lift engineers and on site personnel are experienced in managing and organising highly de-manding lift requirements.

Contact us to discuss your lifting requirements and a free quote.

#### BRISBANE (HQ)

07 3907 5800  
37 Paringa Rd, Murarrie, QLD, 4172

#### BALLINA

02 6686 7748  
5 Convair Ave, Ballina, NSW, 2478

#### GLADSTONE

07 4829 5219  
7 Morgan St, Gladstone, QLD, 4680

#### ROMA

07 4622 5522  
8 Wormwell Drive, Roma QLD 4455

#### TOWNSVILLE

07 4779 4088  
16 Mackley St, Garbutt QLD 4814

#### RICHLANDS

07 3907 5800  
462 Boundary Rd, Richlands QLD 4077

#### ROCKHAMPTON

07 4939 1095  
39-42 Johnson St, Park Hurst, QLD, 4702

#### BILOELA

07 4939 1095  
67 Dawson Hwy, Biloela QLD 4715

#### SUNSHINE COAST

0409 595 618  
562 Maroochydore Rd, Kunda Park, QLD, 4556

#### MACKAY

07 4952 6998  
135 Diesel Drive, Paget QLD 4740

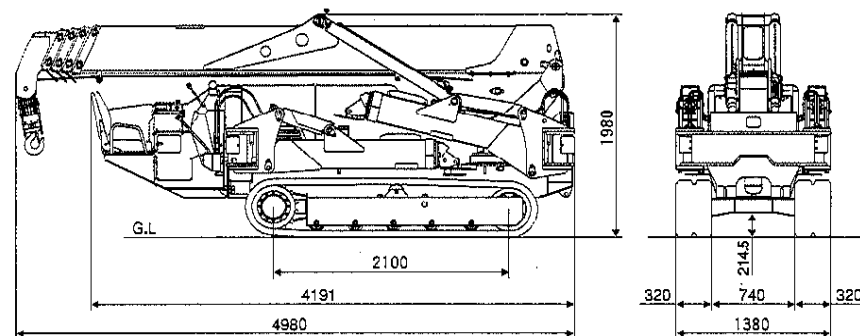


# MAEDA Mini Crawler Crane MC-405C

## Specifications

Model	MC-405CRME	
Crane capacity	t × m	3.83t × 2.7m
Max. working radius	m × t	16m × 0.21t
Max. lifting height (on the ground)	m	16.8m
Max. lifting height (underground)	m	-20.5m
Winch system	Hook speed	m/min 10m/min [18.0m/min] (4 layers 4 falls)
	Hoist wire rope	φ × m IWRC 6 × WS(26) φ8 × 95m
Telescoping system	Type	Fully automatic 5-section pentagonal telescopic boom
	Boom length	m 4.735~16.475m
	Boom telescoping stroke / time	m/sec 11.7m/54.2sec [41.3sec]
Boom hoist system	Hoist angle / time	deg/sec 0~80/24.5sec [17.0sec]
Swing system	swing angle / time	deg/rpm 360/2.1rpm [2.5rpm]
Outrigger system	Type	Extended Hydraulic cylinder direct acting Setting up Hydraulic cylinder direct acting
	Max. extended width	mm (Lateral) 5,786X (Front) 5,118X (Rear) 5,520
Travel system	Type	Hydraulic motor driven, stepless speed changer
	Travel speed	km/h 0~3.3
	Gradability	deg 20
	Crawler ground length X width	mm 2,100 X 320
	Ground pressure	kpa [kgf/cm <sup>2</sup> ] 41.9 [0.43]
Engine	Model	YANMAR 3TNV88-PMB
	Displacement	L [cc] 1,642 [1,642]
	Rated output	kw/min <sup>-1</sup> [ps/rpm] 21.8kw/2400min <sup>-1</sup> [29.6PS/2400rpm]
	Starting method	Electric starting
	Fuel / Fuel tank capacity	L Diesel/60.0
Motor (MC-405CRME)	Motor type	Totally enclosed fan-cooled motor 7.5kw, 4P 380V
	Starting system	Inverter system (30Hz-60Hz)
Remote control system	Type	Cable remote controller
	Micro/High speed mode	Available
	Load display for transmitter	Available
	Outrigger operation	Available
	Voice	Available
Pick & Carry capacity	kg	300kg
Overall length X width X height	mm	4,980 X 1,380 X 1,980
Machine weight	kg	5,600kg (5,750kg with electric motor)
Safety device	Overwind protection, Load indicator, Hydraulic safety valve, Wire rope latch, Level, Machine body inclination alarm, EMO switch, Travel lock lever, Outrigger interlock device, Moment limiter, Rotary lamp	
Options	White rubber track, Single fall hook, Searcher hook	

## Dimensions



⚠ Before use, please read the Operation Manual

Due to improvements, the specifications are subject to change without notice.



**MAEDA SEISAKUSHO CO., LTD.**

No.1095, Onbegawa, Shinonoi, Nagano-City, Nagano-Pref. 388-8522 Japan  
 Head office TEL: 026-292-2228 FAX: 026-293-5590  
 URL: <http://www.maesei.co.jp/> E-mail: [maedasp@maesei.co.jp](mailto:maedasp@maesei.co.jp)

## Total Rated Load Chart (4 falls)

Total Rated Load Chart with outrigger extended to maximum							
4.725m/7.695m Boom		10.655m Boom		13.565m Boom		16.475m Boom	
Working radius (m)	Total rated load (kg)	Working radius (m)	Total rated load (kg)	Working radius (m)	Total rated load (kg)	Working radius (m)	Total rated load (kg)
2.7 or less	3830	3.5	3030	4.0	2230	5.0	1080
3.5	3030	4.0	2580	4.5	1930	5.5	980
4.0	2580	5.0	2030	5.0	1730	6.0	910
5.0	2030	6.0	1680	6.0	1400	7.0	780
6.0	1630	7.0	1380	7.0	1180	8.0	650
7.0	1330	8.0	1130	8.0	1030	9.0	600
7.25	1330	9.0	880	9.0	930	10.0	550
		10.2	580	10.0	830	11.0	490
				11.0	690	12.0	440
				12.0	530	13.0	380
				13.1	430	14.0	320
						15.0	260
						16.0	210

\* The Total Rated Load Chart is based on actual working radius with the bending of boom attributable to load reflected and is shown with the mass of hook (30kg) included.

## Working Range (4 falls)

